

Product Name: UTILITY LID

Dimensions: Diameter - 147 mm / 5.84 inches
Height - 121 mm / 4.76 inches
Outlet Size - 48 mm / 1.89 inches

Weight: 240 grams / 8.4 ounces

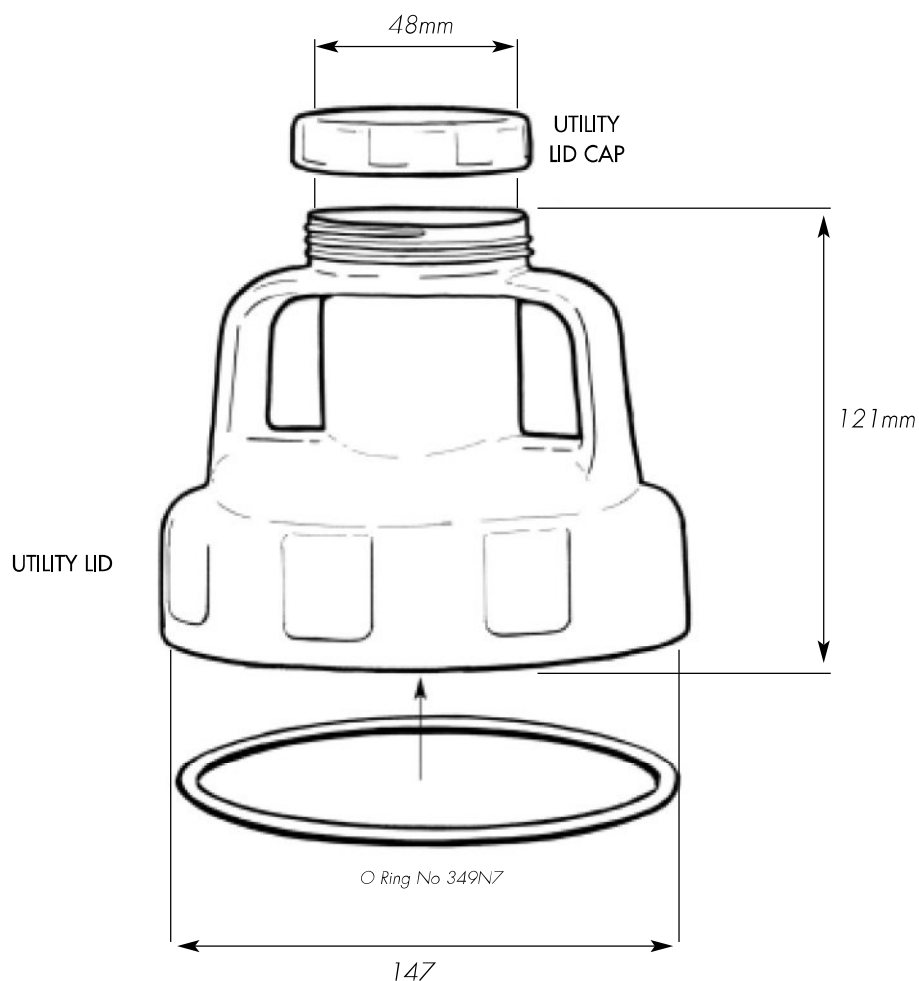
Material: High Density Polyethylene (HDPE)
Very chemically - resistant plastic however, contact with strong oxidising acids (eg. Ozone, Hydrogen Peroxide, Halogen etc) should be avoided.

NOT SUITABLE FOR USE WITH FUELS OR SOLVENTS

Service Temperature: - 40 Deg C to 80 Deg C / - 40 Deg F to 176 Deg F

Additives: UV Stabiliser
Anti Static Additive

Sealing Components: Nitrile O Ring (Buna N)



Produktinfo